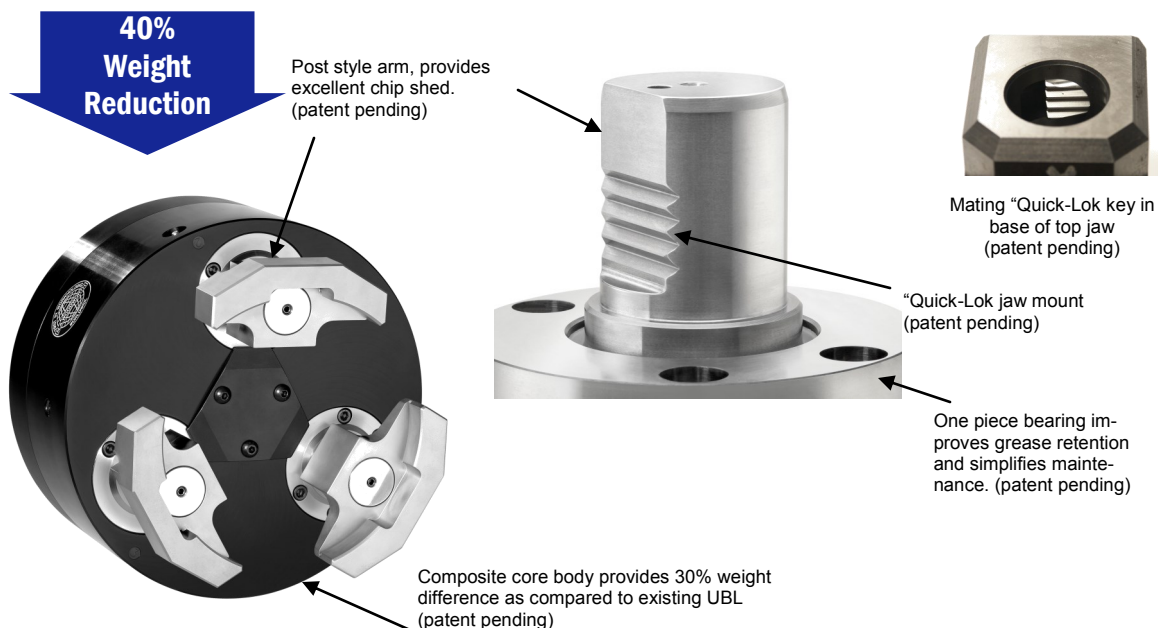


ABL CHUCK

Advanced Ball Lok "GREEN CHUCKING TECHNOLOGY"

The ABL is not just a small step forward in workholding technology, but a giant leap! In today's "green" environment, Forkardt has leapt ahead of the competition in providing energy efficient workholding. The composite core body is part of a patented process under which the body is comprised of a steel shell that surrounds a composite core. This provides up to 30% reduction in mass. The remaining changes such as the new post style arm help the overall weight reduction approach 40%.

Improved Performance at nearly half the weight



FEATURES:

- Composite core body
- Quick change jaw mount
- Post style arms
- One piece upper bearing
- Standard features of existing UBL

GO GREEN/SAVE GREEN

The ABL chuck will enable your company to lower its carbon footprint and demonstrate savings for your company's green initiatives.

BENEFITS:

- Composite core provides dampening effect, improving harmonics in turning operations
- Weight reduction improves energy efficiency of your existing machine tool
- Reduction in weight improves ramp up / ramp down times during machining process
- Reduction in mass, extending from the face of the chuck, improves RPM performance
- Quick change mount provides jaw changeover in under 1 minute
- Overall design provides for easier maintenance and handling.